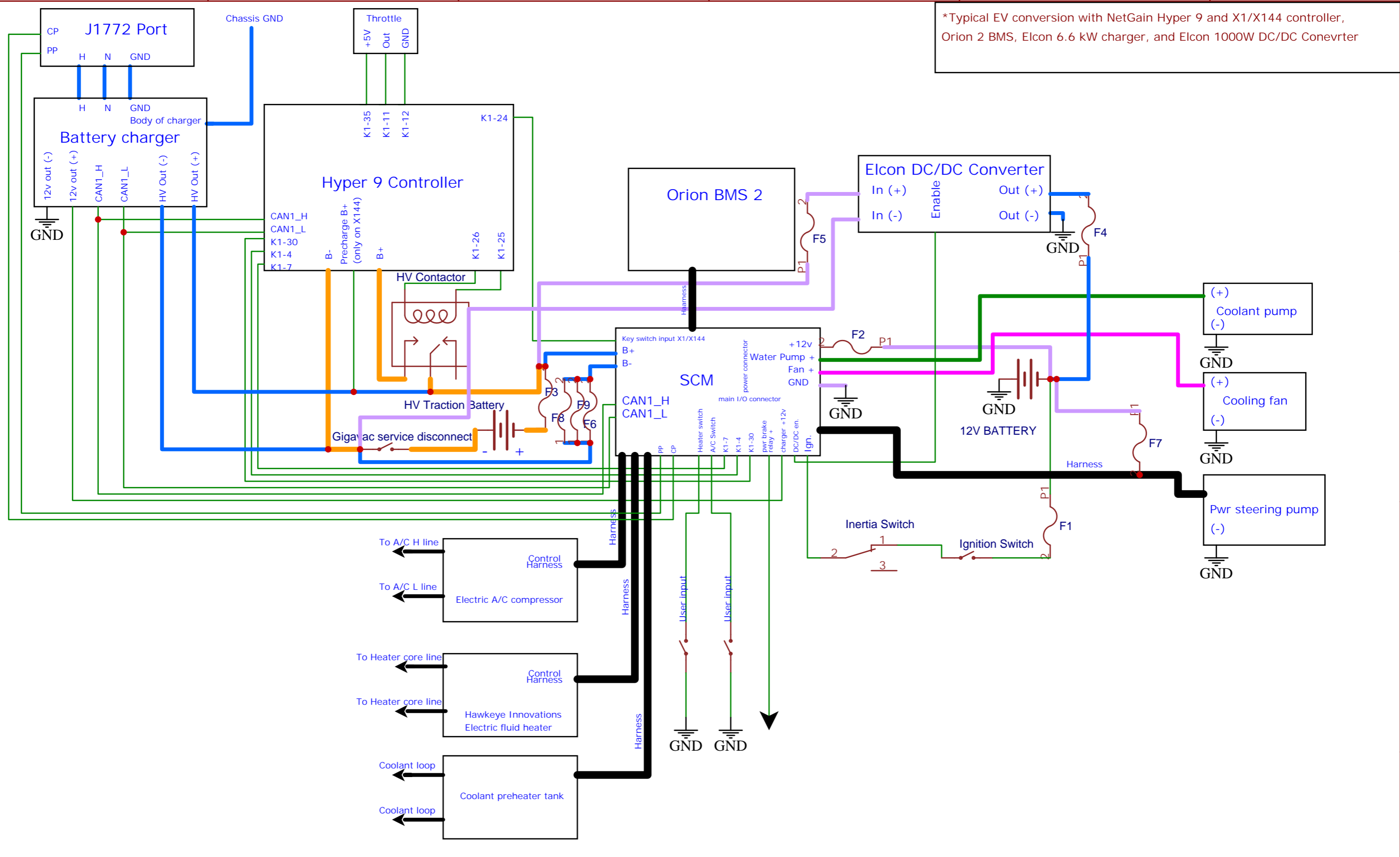


*Typical EV conversion with NetGain Hyper 9 and X1/X144 controller, Orion 2 BMS, Elcon 6.6 kW charger, and Elcon 1000W DC/DC Converter



Fuses		Key	
F1 = 5A	F6 = 600VDC 30A (if using Heater)	18 AWG	Green
F2 = 30A	F7 = 60A	16 AWG	Dark Green
F3 = 150VDC 400A or 500A***	F8 = 600VDC 25A (if using electric A/C)	12 AWG	Magenta
F4 = 100A	F9 = 600VDC 15A (if using preheater)	10 AWG	Purple
F5 = 600VDC 30A		6 AWG	Blue
	***Use 500A for X1 Use 400A for X144	2/0 AWG (Orange cable)	Orange

TITLE: EV Conversion with SCM*		REV: 1.11
Company: Hawkeye Innovations LLC		Sheet: 1/1
Date: 08/20/2020	Drawn By: Adam Lansing	