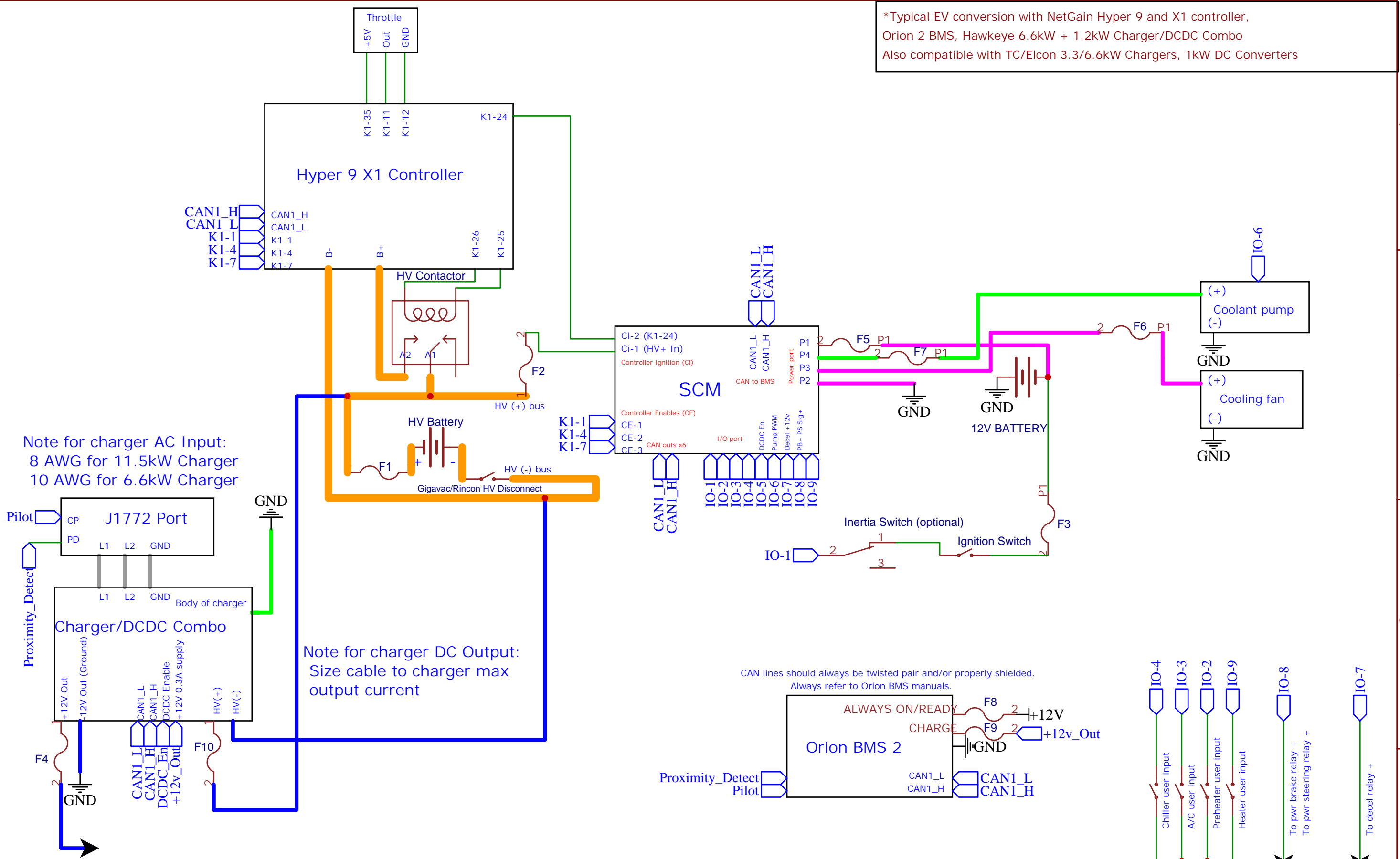


*Typical EV conversion with NetGain Hyper 9 and X1 controller,
 Orion 2 BMS, Hawkeye 6.6kW + 1.2kW Charger/DCDC Combo
 Also compatible with TC/Elcon 3.3/6.6kW Chargers, 1kW DC Converters



Note for charger AC Input:
 8 AWG for 11.5kW Charger
 10 AWG for 6.6kW Charger

Note for charger DC Output:
 Size cable to charger max
 output current

CAN lines should always be twisted pair and/or properly shielded.
 Always refer to Orion BMS manuals.

Fuses	
F1 = 500VDC 500A	F6 = 25A
F2 = 10A	F7 = 15A
F3 = 5A	F8 = 5A (Check BMS manuals)
F4 = 100A (or circuit breaker)	F9 = 5A (Check BMS manuals)
F5 = 30A	F10 = 500VDC 75A (recommended)

Wire gauge	
16 AWG	20/18 AWG
12 AWG	
10 AWG	
8 AWG	
6 AWG	
2/0 AWG (Orange cable)	

TITLE: EV Conversion with SCM2
 X1 Controller (100V) REV: 2.02



Company: Hawkeye Innovations LLC Sheet: 1/1
 Date: 12/20/2024 Drawn By: Adam Lansing