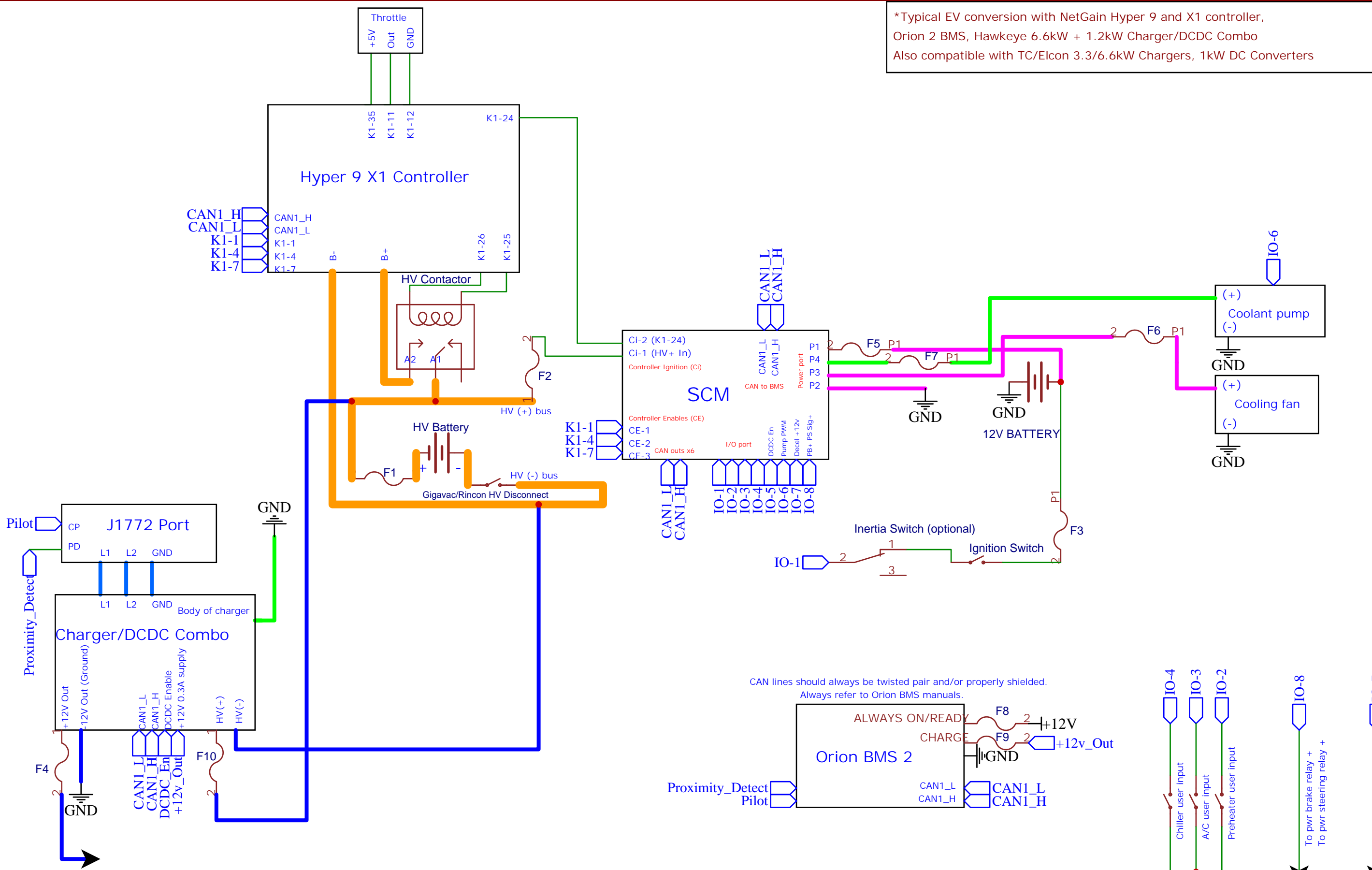


*Typical EV conversion with NetGain Hyper 9 and X1 controller, Orion 2 BMS, Hawkeye 6.6kW + 1.2kW Charger/DCDC Combo Also compatible with TC/Elcon 3.3/6.6kW Chargers, 1kW DC Converters



CAN lines should always be twisted pair and/or properly shielded. Always refer to Orion BMS manuals.

Fuses	
F1 = 500VDC 500A	F6 = 25A
F2 = 10A	F7 = 15A
F3 = 5A	F8 = 5A (Check BMS manuals)
F4 = 100A (or circuit breaker)	F9 = 5A (Check BMS manuals)
F5 = 30A	F10 = 500VDC 75A (recommended)

Wire gauge	
18 AWG	6 AWG
16 AWG	2/0 AWG (Orange cable)
12 AWG	
10 AWG	

TITLE: EV Conversion with SCM2 X1 Controller (100V) REV: 2.00

Company: Hawkeye Innovations LLC Sheet: 1/1
 Date: 11/13/2022 Drawn By: Adam Lansing

